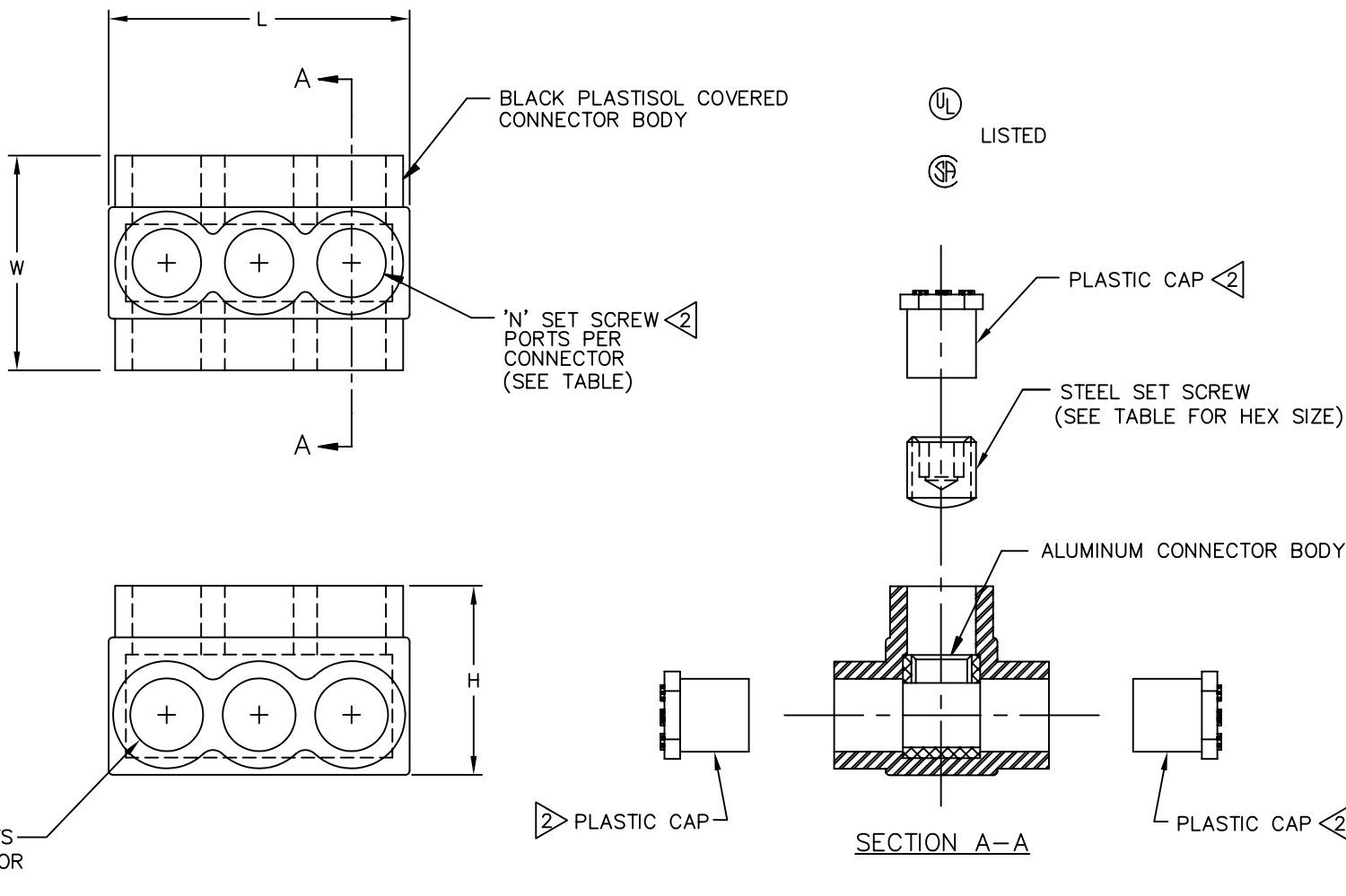


DRAWING NO.							
10013353		4					3
CATALOG NO.	WIRE RANGE (AWG/kcmil)	L	W	H	HEX KEY	N	
1PLD4-2	#14-#4	1.08 [27]	1.50 [38]	1.25 [32]	1/8	2	
1PLD4-3	#14-#4	1.51 [38]	1.50 [38]	1.25 [32]	1/8	3	
1PLD4-4	#14-#4	1.95 [50]	1.50 [38]	1.25 [32]	1/8	4	
1PLD4-5	#14-#4	2.39 [61]	1.50 [38]	1.25 [32]	1/8	5	
1PLD4-6	#14-#4	2.83 [72]	1.50 [38]	1.25 [32]	1/8	6	
1PLD4-8	#14-#4	3.71 [94]	1.50 [38]	1.25 [32]	1/8	8	

REV.	DATE	DESCRIPTION	ECO	BY	C'K'D.
B	9/20/06	ADDED TEXT NOTE #5	13422	PL	DB

FEATURES	BENEFITS
PLASTISOL COVERED AL6061-T6 BODY	SAVES TIME, LOWERS INSTALLATION COSTS, ELIMINATES TAPING.
OXIDE-INHIBITOR IS PRE-INSTALLED	INHIBITS MOISTURE AND CONTAMINANTS FROM ENTERING THE CONTACT AREA
RANGE-TAKING	REDUCES THE NUMBER OF CONNECTORS CARRIED IN INVENTORY



NOTES:

- CONNECTORS ARE SUPPLIED INDIVIDUALLY LABELED. LABEL INFORMATION INCLUDES CATALOG NUMBER, QUANTITY, AND BARCODE.
- END CAPS INSTALLED ON WIRE PORTS AND SET SCREW PORTS.
- ALL CONNECTORS UL LISTED, CSA CERTIFIED FOR AL9CU, 90°C APPLICATIONS, UNLESS OTHERWISE NOTED.
- DIMENSIONS IN BRACKETS [] ARE IN MILLIMETERS ROUNDED OFF TO THE NEAREST MILLIMETER, UNLESS OTHERWISE NOTED, AND ARE FOR REFERENCE ONLY.
- UV RATED INSULATION MATERIAL.

TO ORDER BURNDY PRODUCTS CALL 1-800-346-4175
MANCHESTER, NH 03109, USA
FOR PRODUCT INFO = <http://www.fciconnect.com>

UV BLACK COVERED DISTRIBUTION CONNECTORS

ITEM NO: N/A

CAT NO: 1PLD4- SERIES, (TABLE)

SCALE: N/A

DRAWN BY: P LAPONIUS	8/14/02	FCI BURNDY PRODUCTS	
CHECKER: D BOISVERT	8/14/02		
DSN APPVL: J MICHAUD	8/14/02		
MFG APPVL: ---	---		
QC APPVL: J BRODEUR	8/13/02	DRAWING NO	
MKT APPVL: A ZWT	8/13/02		10013353
PROD FAM: ---	---	SIZE	C
PROJECT #: ---	---	SHEET 1 OF 1	B
DOCUMENT TYPE: Sales	---		
REL LEVEL: AUTOCAD	---		